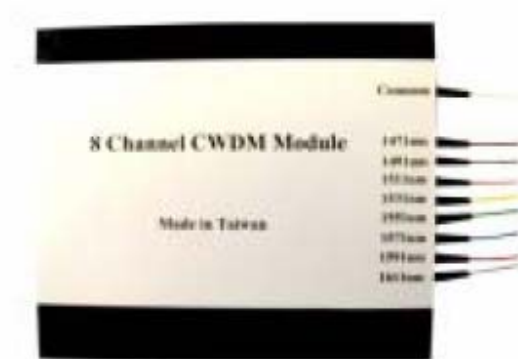


## COARSE WAVELENGTH DIVISION MULTIPLEXERS (CWDM)



### Features

- Low PDL
- Low Insertion Loss
- Excellent Uniformity
- High Directivity
- Highly Stable and Reliable

### Applications

- Telecommunications
- Local Area Network (LAN)
- Passive Optical Network (PON)
- Cable TV
- Fiber sensors

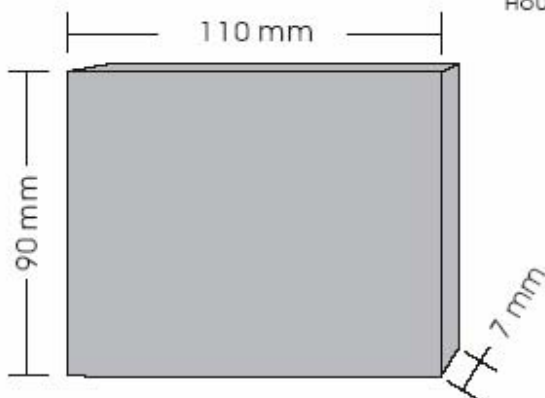
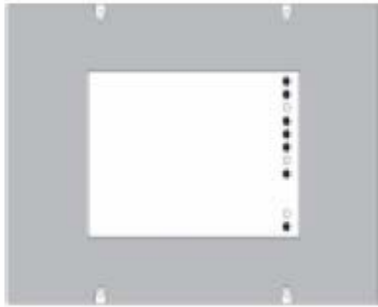
<b>Product Performance Characteristics</b>			
<b>Parameters</b>	<b>1 x 4</b>	<b>1 x 8</b>	<b>1 x 16</b>
<b>Central Wavelength (nm)</b>	1470, 1490, 1510, 1530, 1550, 1570, 1590, 1610 1471, 1491, 1511, 1531, 1551, 1571, 1591, 1611	Fm 1270 To 1610 or Fm 1271 To 1611	
<b>Channel Spacing (nm)</b>	20		
<b>Min. Channel Pass Band @ -0,5 dB</b>	Central Wavelength $\pm$ 6.5 nm		
<b>Max. Insertion Loss (dB)</b>	1.6	3.2	5.2
<b>Max. Pass Band Ripple (dB)</b>	0.5	0.5	0.5
<b>Min. Adjacent Channel Isolation (dB)</b>	30 (demux)		28
<b>Min. Non-adjacent Channel Isolation (dB)</b>	40		35
<b>Min. Directivity (dB)</b>	50		
<b>Min. Return Loss (dB)</b>	45		
<b>Max. PDL (dB)</b>	0.2		
<b>Max. PMD (ps)</b>	0.1		
<b>Power Handling</b>	300mW		
<b>Operation Temperature</b>	-5°C ~ 65°C		

Special dimension upon request

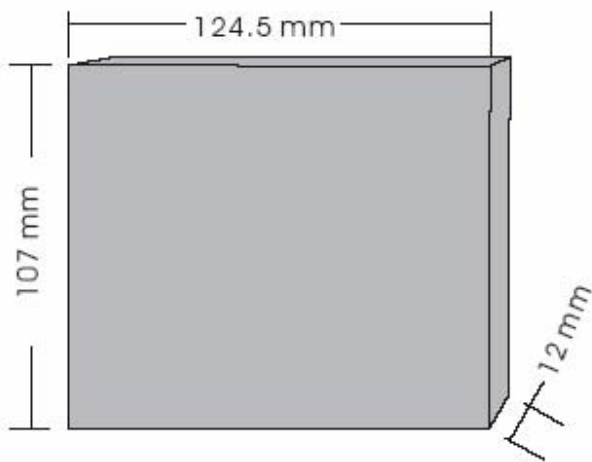
<b>Mechanical Outline</b>			
<b>Package type</b>	<b>Housing type</b>	<b>Dimension</b>	<b>Pigtail style</b>
<b>Type R</b>	<b>Ruggedized plastic housing</b>	110mm(L) x 90mm(W) x 7mm(H) (1x4, 1x8) 124.5mm(L) x 107mm(W) x 12mm(H) (1x16)	<b>900<math>\mu</math>m loose buffered fiber</b>
<b>Type G</b>	<b>LGX compatible module</b>	<b>See below</b>	<b>Output port is adapter</b>

The dimension of type G package will depend on output port number, below LGX compatible housing is just for reference.

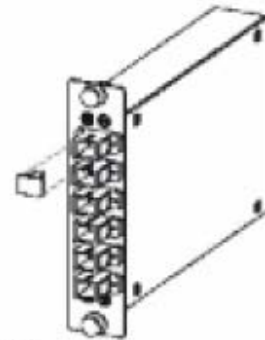
We also provide LGX compatible chassis, please see our chassis specification.



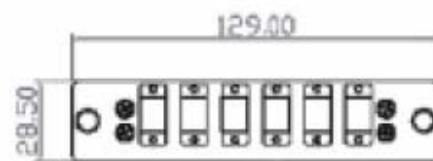
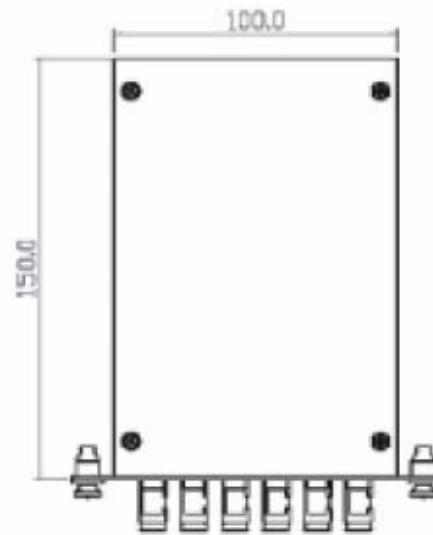
Type R: Ruggedized plastic housing with 900  $\mu$  Loose buffered fiber  
110mm (L) x 90mm (W) x 7mm (H)



Type R: Ruggedized plastic housing with 900  $\mu$  Loose buffered fiber  
124.5mm (L) x 107mm (W) x 12mm (H)

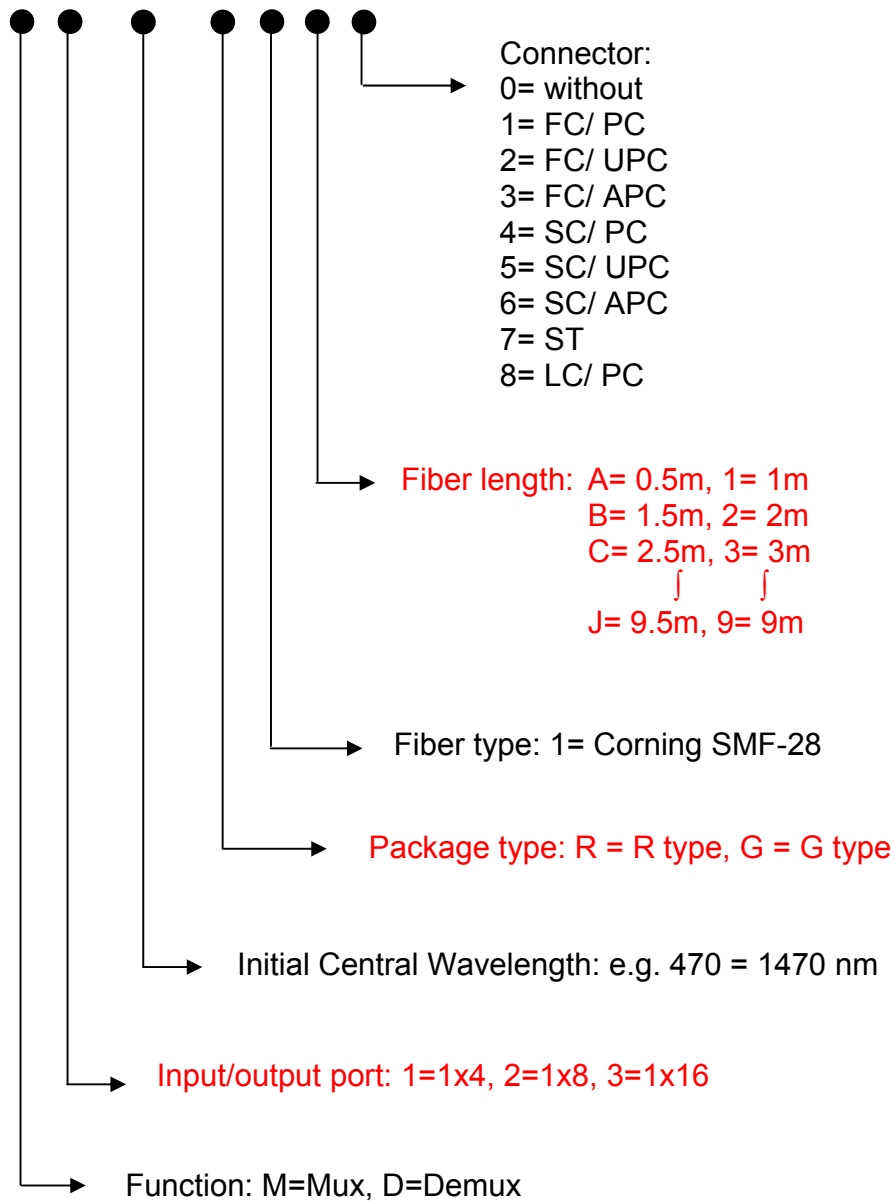


Type G: LGX compatible Housing with adapter output



## Ordering information

### CWDM-X-X-XXX-X-X-X-X-UM



Rev A 2006-02-15

#### RAYCORE Fiber Optic Solutions AB

**Postal address:**  
PO. Box 2022  
SE-131 02 Nacka - Stockholm  
SWEDEN

**Visiting address:**  
Vattenverksvägen 8  
131 41 Nacka - Stockholm  
SWEDEN

**Contact details:**  
Phone: +46 (0)8 618 72 05  
Fax: +46 (0)8 618 72 09  
E-mail: sales@raycore-fos.com